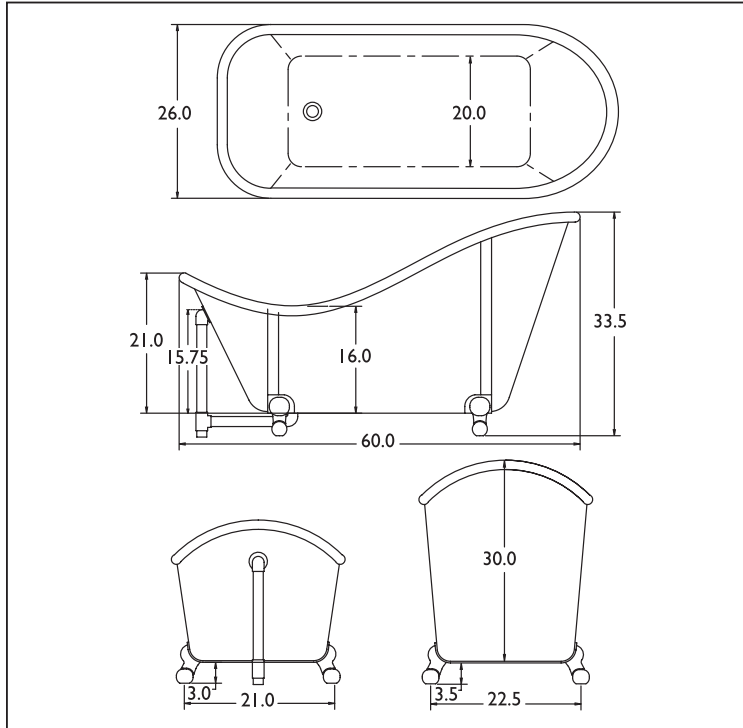


OREGON COPPER BOWL COMPANY

SIGNATURE SERIES

PACIFIC



BALL FOOT SLIPPER TUB - ITEM # 1991



OD 60" LONG X 26" WIDE

33.5" HIGH AT BACK, 24" HIGH AT FRONT

ID 57" LONG X 23" WIDE X 16" DEEP AT CENTER

I3 GAUGE - 72 OUNCE PER SQUARE FOOT

CAST BRONZE BALL FEET WITH BRONZE UNDER STRUCTURE. FULL RADIUS CORNERS.

(BRASS OVERFLOW AND WASTE ASSEMBLY INCLUDED)

CALL FOR LEAD TIME. - CONSIDER CUSTOM - NON RETURNABLE

CUSTOMIZED: The standard configuration with the higher back and lower front is the classic "SLIPPER TUB" concept. Our artisans can also configure the design to be deeper, wider and with front and back the same height / style.

THE OREGON COPPER BOWL COMPANY offers the finest quality hand-crafted copper and brass sinks, whether measured in beauty or craftsmanship. The Oregon River Series represents a popular line of classic designs for the kitchen and bath. Rounds, oblongs, squares and rectangles make up a handsome line of heirloom quality sinks. All are hand-crafted in our Oregon studio, using the finest materials available. Each is meticulously finished, and if the customer chooses, hand-hammered. From "new penny bright" and antique copper patinas to satin nickel or polished gold, the finish options available are inspiring, just like their namesakes.

FINISH

Non-Returnable

POLISHED COPPER

SATIN COPPER

ANTIQUE COPPER PATINA

SATIN NICKEL

POLISHED BRASS

SATIN BRASS

ANTIQUE BRASS

*SPECIFY EXTERIOR AND INTERIOR FINISH

EXAMPLE: EXTERIOR ANTIQUE COPPER PATINA, INTERIOR SATIN COPPER



The Original - Handcrafted in America.