

OREGON COPPER BOWL COMPANY

OREGON RIVER SERIES

SANTIAM

(San'-Tee-Am)

SMOOTH #1621

INTERIOR HAMMERED #1623



ID 14" x 6" Deep, OD 16.25"

Height-5.25" above counter-top

Drain Diameter 1.5"

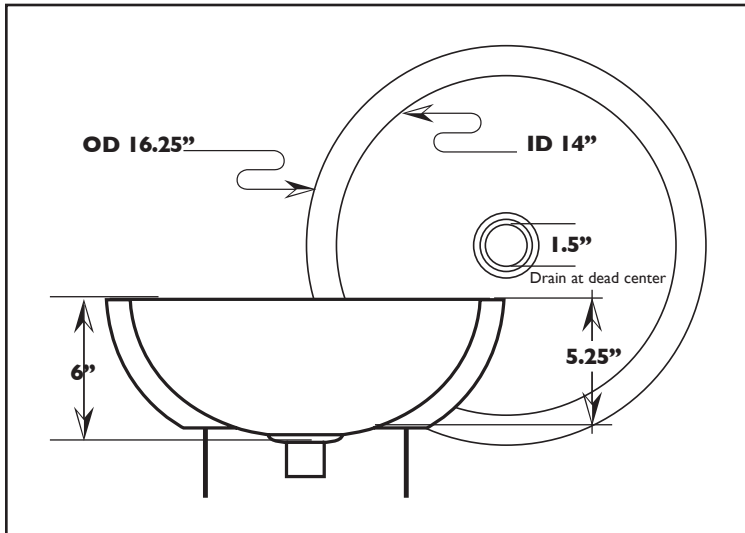
16 GAUGE - 48 OUNCE PER SQUARE FOOT

COPPER OR BRASS

***18 GAUGE STAINLESS STEEL**

DOUBLE WALL - VESSEL/COUNTER-TOP MOUNT

(Mounting Hardware Included)



THE OREGON COPPER BOWL COMPANY offers the finest quality hand-crafted copper and brass sinks, whether measured in beauty or craftsmanship. The Oregon River Series represents a popular line of classic designs for the kitchen and bath. Rounds, oblongs, squares and rectangles make up a handsome line of heirloom quality sinks. All are hand-crafted in our Oregon studio, using the finest materials available. Each is meticulously finished, and if the customer chooses, hand-hammered. From "new penny bright" and antique copper patinas to satin nickel or polished gold, the finish options available are inspiring, just like their namesakes.

FINISH

Allow 1-2 Weeks-25% Restock

POLISHED COPPER

SATIN COPPER

ANTIQUE COPPER PATINA

POLISHED BRASS

SATIN BRASS

ANTIQUE BRASS

Allow 4-8 Weeks - Non Returnable

OREGON SUNSET

SATIN SUNSET

POLISHED GOLD

SATIN GOLD

Allow 2-4 Weeks- 50% Restock

BRIGHT NICKEL

SATIN NICKEL

***POLISHED STAINLESS STEEL**

***SATIN STAINLESS STEEL**

DRAIN ASSEMBLY AVAILABILITY

Lift & Turn

Grid Strainer

Crumb Basket

VESSEL INSTALLATION

1. Counter cut-out and bolt holes to be template with the provided template.
2. Vessel secured to the counter-top with the integral bolts and the provided wing nuts and washers.
3. Silicon calking may be used as necessary between the counter-top and the underside of the Vessel base.



The Original - Handcrafted in America.