

OREGON COPPER BOWL COMPANY

OREGON RIVER SERIES

UMATILLA

(U-Muh-Till'-Uh)

SMOOTH #1471

HAMMERED #1473



ID 12" x 6" Deep, OD 13.5"

Drain Diameter 1.5"

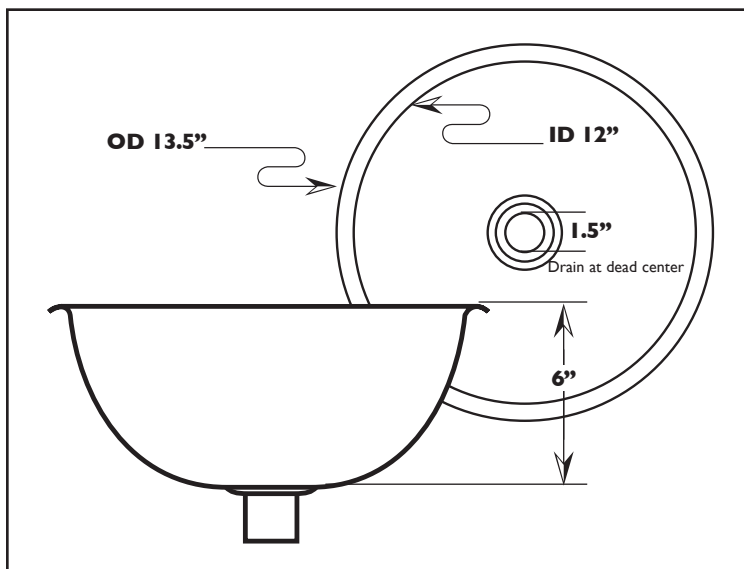
16 GAUGE - 48 OUNCE PER SQUARE FOOT

COPPER OR BRASS

***18 GAUGE STAINLESS STEEL**

CURVE RIM DROP-IN MOUNT

(Mounting Hardware Included)



THE OREGON COPPER BOWL COMPANY offers the finest quality hand-crafted copper and brass sinks, whether measured in beauty or craftsmanship. The Oregon River Series represents a popular line of classic designs for the kitchen and bath. Rounds, oblongs, squares and rectangles make up a handsome line of heirloom quality sinks.

All are hand-crafted in our Oregon studio, using the finest materials available. Each is meticulously finished, and if the customer chooses, hand-hammered. From "new penny bright" and antique copper patinas to satin nickel or polished gold, the finish options available are inspiring, just like their namesakes.

FINISH

Allow 1-2 Weeks-25% Restock

POLISHED COPPER

SATIN COPPER

ANTIQUE COPPER PATINA

POLISHED BRASS

SATIN BRASS

ANTIQUE BRASS

Allow 4-8 Weeks - Non Returnable

OREGON SUNSET

SATIN SUNSET

POLISHED GOLD

SATIN GOLD

Allow 2-4 Weeks- 50% Restock

BRIGHT NICKEL

SATIN NICKEL

***POLISHED STAINLESS STEEL**

***SATIN STAINLESS STEEL**

OPTIONS

OVERFLOW (INTEGRAL COPPER)

2.0" DRAIN DIAMETER

3.5" DRAIN DIAMETER

DRAIN ASSEMBLY AVAILABILITY

Lift & Turn

Grid Strainer

Crumb Basket

Jr. Basket Strainer

VESSEL MOUNTING Specify "without brackets"

Kitchen Basket Strainer

Disposal Mounting Flange

Disposal Flange w/ Stopper

DROP-IN INSTALLATION

1. Counter cut-out 1/4" – 3/8" larger than the inside Dimension of the basin.
2. Use provided clips to hook the brackets on the underside of the basin and sung it down.
3. Silicon calking may be used as necessary on the underside of the basin rim.



The Original - Handcrafted in America.