

# OREGON COPPER BOWL COMPANY

OREGON RIVER SERIES

## UMPQUA

( Ump'-Kwa )

SMOOTH #1521

HAMMERED #1523



**ID 14" x 6" Deep, OD 14.5"**

**Height-5.625" above counter-top**

**Drain Diameter 1.25"**

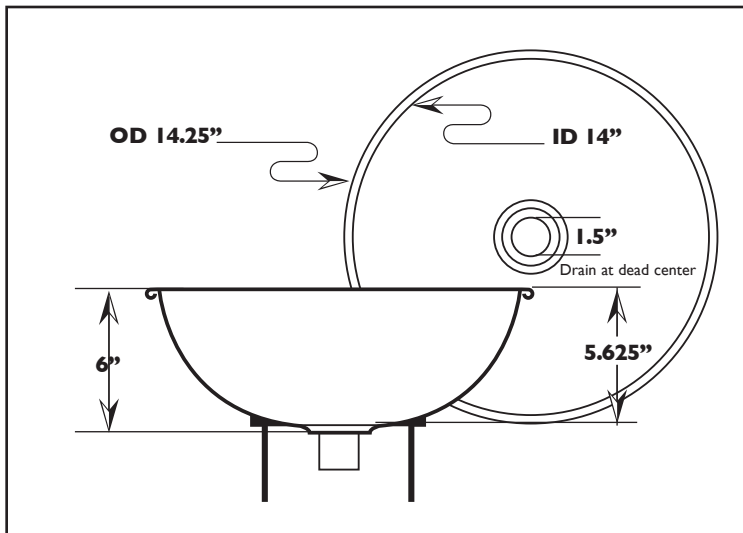
**16 GAUGE - 48 OUNCE PER SQUARE FOOT**

**COPPER OR BRASS**

**\*18 GAUGE STAINLESS STEEL**

**ROLLED RIM - VESSEL/COUNTER-TOP MOUNT**

(Mounting Hardware Included)



**THE OREGON COPPER BOWL COMPANY** offers the finest quality hand-crafted copper and brass sinks, whether measured in beauty or craftsmanship. The Oregon River Series represents a popular line of classic designs for the kitchen and bath. Rounds, oblongs, squares and rectangles make up a handsome line of heirloom quality sinks.

All are hand-crafted in our Oregon studio, using the finest materials available. Each is meticulously finished, and if the customer chooses, hand-hammered. From "new penny bright" and antique copper patinas to satin nickel or polished gold, the finish options available are inspiring, just like their namesakes.

### FINISH

Allow 1-2 Weeks-25% Restock

**POLISHED COPPER**

**SATIN COPPER**

**ANTIQUE COPPER PATINA**

**POLISHED BRASS**

**SATIN BRASS**

**ANTIQUE BRASS**

Allow 4-8 Weeks - Non Returnable

**OREGON SUNSET**

**SATIN SUNSET**

**POLISHED GOLD**

**SATIN GOLD**

Allow 2-4 Weeks- 50% Restock

**BRIGHT NICKEL**

**SATIN NICKEL**

**\*POLISHED STAINLESS STEEL**

**\*SATIN STAINLESS STEEL**

### DRAIN ASSEMBLY AVAILABILITY

Lift & Turn

Grid Strainer

Crumb Basket

### VESSEL INSTALLATION

1. Counter cut-out and bolt holes to be template with the provided template.
2. Vessel secured to the counter-top with the integral bolts and the provided wing nuts and washers.
3. Silicon caulking may be used as necessary between the counter-top and the underside of the Vessel base.



**The Original - Handcrafted in America.**