

# OREGON COPPER BOWL COMPANY

OREGON RIVER SERIES

## WILLAMETTE

(Will-Lam'-It)

SMOOTH #1671

HAMMERED #1673



**ID 16" x 22" x 7.5" Deep, OD 18" x 24"**

**Apron OD 24.375" x 7.25", Drain Diameter 3.5"**

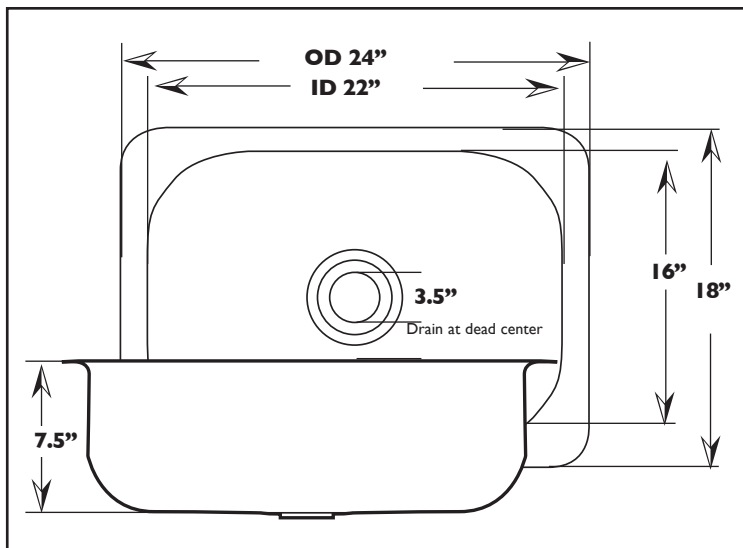
**16 GAUGE - 48 OUNCE PER SQUARE FOOT**

**COPPER OR BRASS**

**FLAT RIM UNDER-COUNTER MOUNT**

**MAY BE DROP-IN MOUNTED**

Please specify to receive appropriate rim treatment & mounting hardware. (Mounting Hardware included)



**THE OREGON COPPER BOWL COMPANY** offers the finest quality hand-crafted copper and brass sinks, whether measured in beauty or craftsmanship. The Oregon River Series represents a popular line of classic designs for the kitchen and bath. Rounds, oblongs, squares and rectangles make up a handsome line of heirloom quality sinks. All are hand-crafted in our Oregon studio, using the finest materials available. Each is meticulously finished, and if the customer chooses, hand-hammered. From "new penny bright" and antique copper patinas to satin nickel or polished gold, the finish options available are inspiring, just like their namesakes.

### FINISH

Allow 1-2 Weeks-25% Restock

POLISHED COPPER  
SATIN COPPER  
ANTIQUE COPPER PATINA  
POLISHED BRASS  
SATIN BRASS  
ANTIQUE BRASS

Allow 4-8 Weeks - Non Returnable

OREGON SUNSET  
SATIN SUNSET  
POLISHED GOLD  
SATIN GOLD

Allow 2-4 Weeks- 50% Restock

BRIGHT NICKEL  
SATIN NICKEL

### OPTIONS

OVERFLOW (INTEGRAL COPPER)  
1.5" DRAIN DIAMETER  
2.0" DRAIN DIAMETER  
APRON-SMOOTH OR HAMMERED

### DRAIN ASSEMBLY AVAILABILITY

Lift & Turn	Kitchen Basket Strainer
Grid Strainer	Disposal Mounting Flange
Crumb Basket	Disposal Flange w/ Stopper
Jr. Basket Strainer	
VESSEL MOUNTING Specify "without brackets"	

### DROP-IN INSTALLATION

1. Counter cut-out 1/4" – 3/8" larger than the inside Dimension of the basin.
2. Use provided clips to hook the brackets on the underside of the basin and sung it down.
3. Silicon calking may be used as necessary on the underside of the basin rim.

### UNDER-COUNTER INSTALLATION

1. Counter cut-out to be templated using the basin itself. The client must determine the proper relationship between the basin radius and the edge of the counter cut-out.
2. The provided clips may be used to secure the basin rim to the underside of the counter-top material using one of the provided connectors or such method as might be agreed upon between the installer and the basin owner.
3. Silicon calking may be used as necessary between the upper side of the basin rim and the underside of the counter-top.



**The Original - Handcrafted in America.**