

# OREGON COPPER BOWL COMPANY

OREGON RIVER SERIES

## YACHATS

(Yaw'-Hots)

SMOOTH #1481

HAMMERED #1483



**ID 12" x 6" Deep, OD 13.5"**

**Drain Diameter 1.5"**

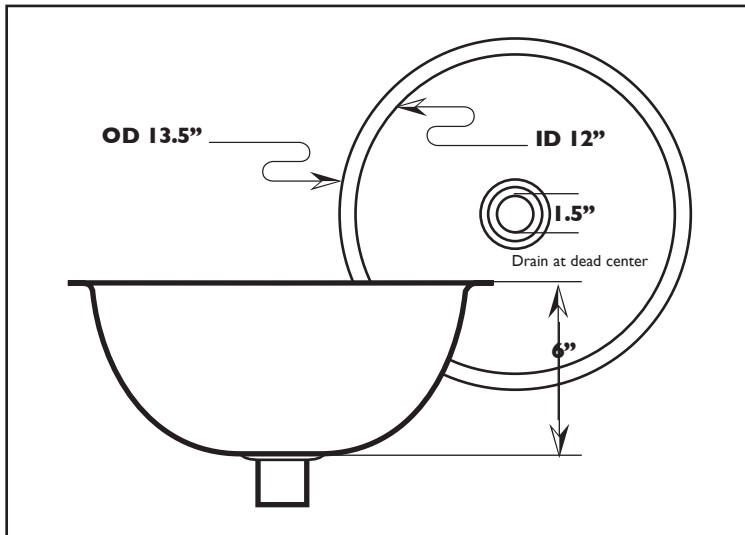
**16 GAUGE - 48 OUNCE PER SQUARE FOOT  
COPPER OR BRASS**

**\*18 GAUGE STAINLESS STEEL**

**FLAT RIM UNDER-COUNTER MOUNT**

**MAY BE DROP-IN MOUNTED**

Please specify to receive appropriate mounting hardware  
(Mounting Hardware Included)



**THE OREGON COPPER BOWL COMPANY** offers the finest quality hand-crafted copper and brass sinks, whether measured in beauty or craftsmanship. The Oregon River Series represents a popular line of classic designs for the kitchen and bath. Rounds, oblongs, squares and rectangles make up a handsome line of heirloom quality sinks. All are hand-crafted in our Oregon studio, using the finest materials available. Each is meticulously finished, and if the customer chooses, hand-hammered. From "new penny bright" and antique copper patinas to satin nickel or polished gold, the finish options available are inspiring, just like their namesakes.

### FINISH

Allow 1-2 Weeks-25% Restock

**POLISHED COPPER**  
**SATIN COPPER**  
**ANTIQUE COPPER PATINA**  
**POLISHED BRASS**  
**SATIN BRASS**  
**ANTIQUE BRASS**

Allow 4-8 Weeks - Non Returnable

**OREGON SUNSET**  
**SATIN SUNSET**  
**POLISHED GOLD**  
**SATIN GOLD**

Allow 2-4 Weeks- 50% Restock

**BRIGHT NICKEL**  
**SATIN NICKEL**  
**\*POLISHED STAINLESS STEEL**  
**\*SATIN STAINLESS STEEL**

### OPTIONS

**OVERFLOW (INTEGRAL COPPER)**  
**2.0" DRAIN DIAMETER**  
**3.5" DRAIN DIAMETER**

### DRAIN ASSEMBLY AVAILABILITY

Lift & Turn	Kitchen Basket Strainer
Grid Strainer	Disposal Mounting Flange
Crumb Basket	Disposal Flange w/ Stopper
Jr. Basket Strainer	
<b>VESSEL MOUNTING</b> Specify "without brackets"	

### UNDER-COUNTER INSTALLATION

1. Counter cut-out to be templated using the basin itself. The client must determine the proper relationship between the basin radius and the edge of the counter cut-out.
2. The provided clips may be used to secure the basin rim to the underside of the counter-top material using one of the provided connectors or such method as might be agreed upon between the installer and the basin owner.
3. Silicon calking may be used as necessary between the upper side of the basin rim and the underside of the counter-top.



**The Original - Handcrafted in America.**